

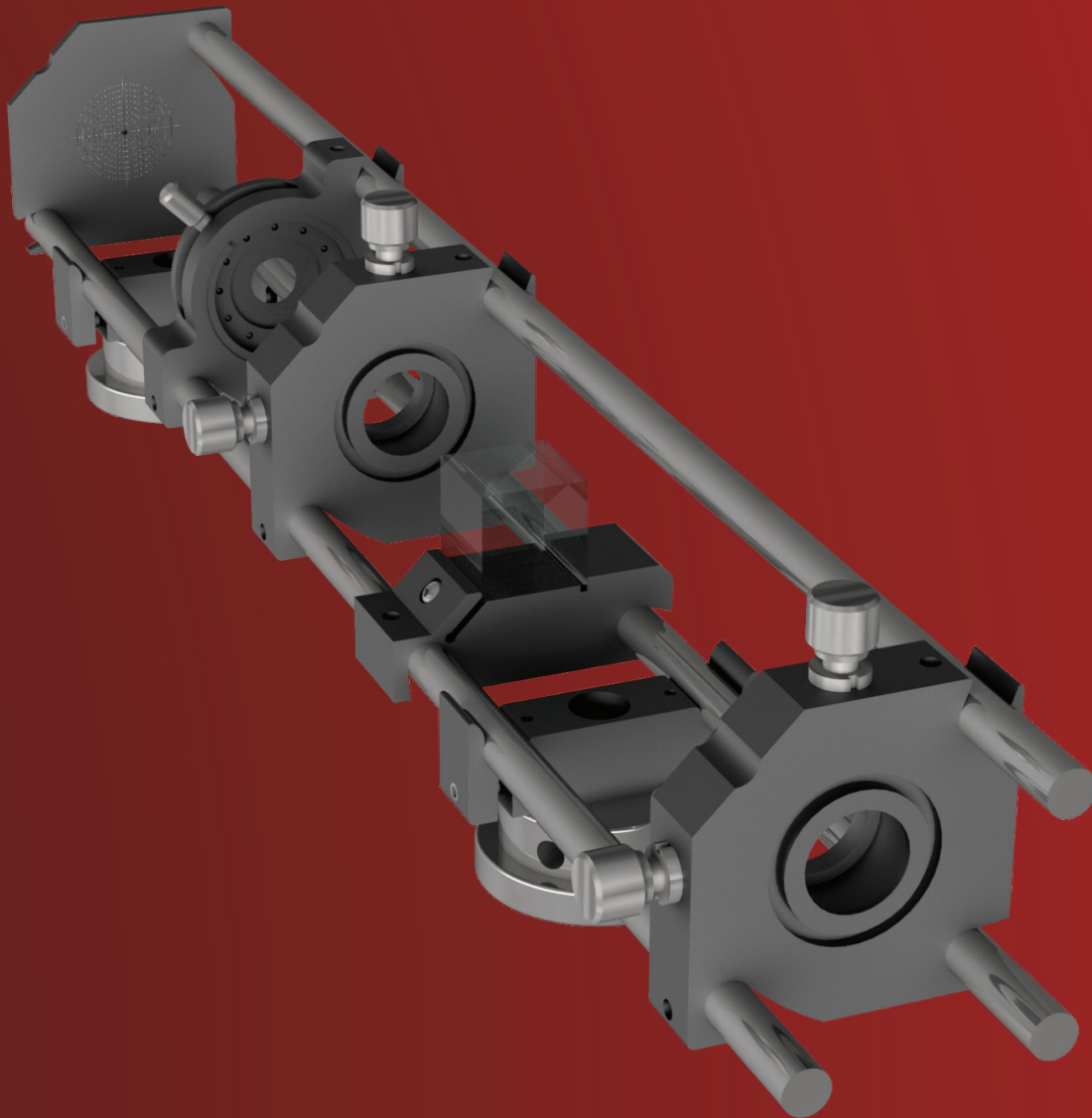
Application Systems

Optics and Optical Coatings

Opto-Mechanics

Manual Positioners

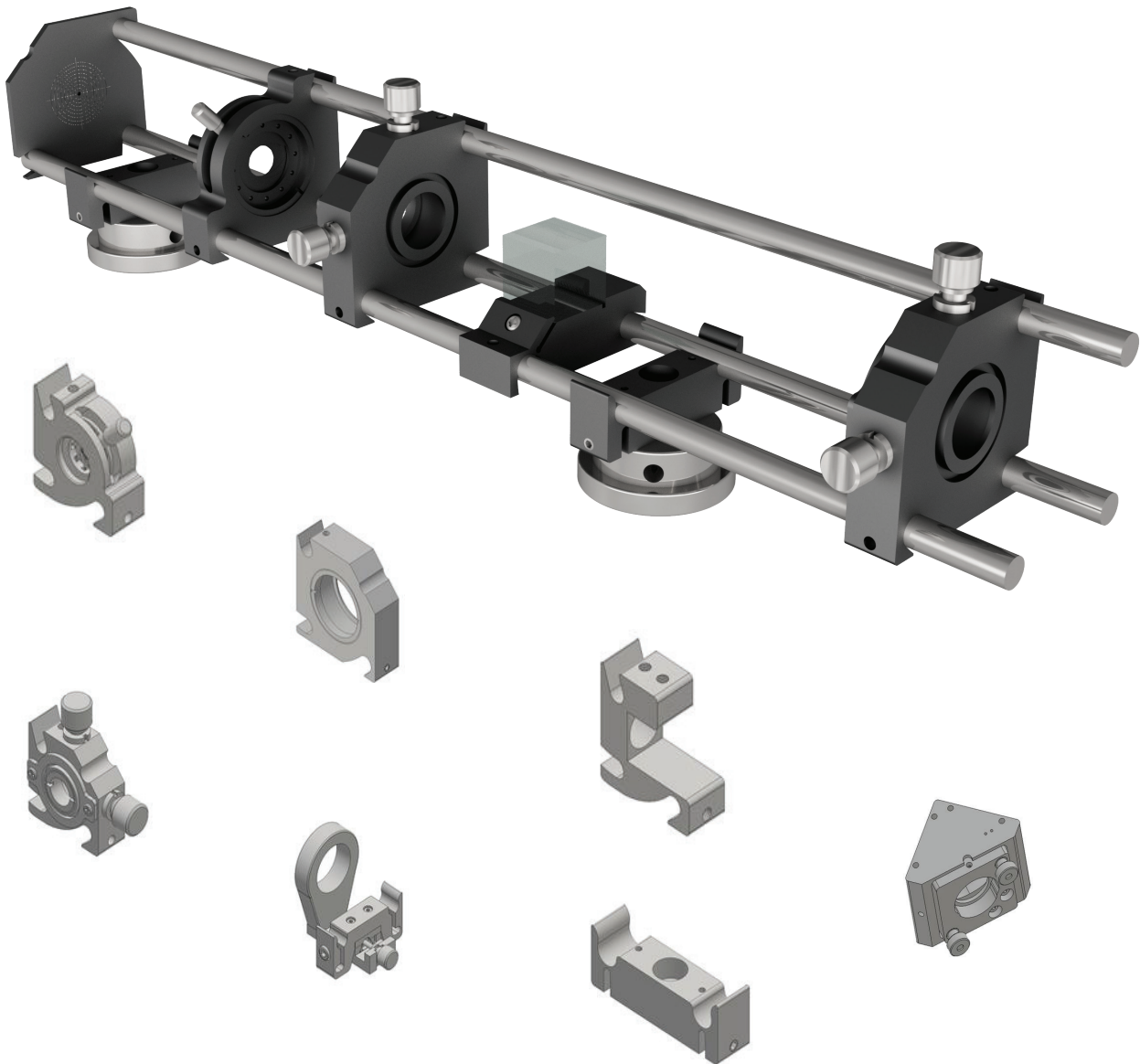
Motion Control Products



Cage Systems

The OptoSigma Cage System is a family of components that allow optical systems to be built using a rigid, easy to assemble framework. There are two sizes available, the P16 (16mm pitch between the rods) for 1/2 inch (12.7 mm) optics and the P30 (30 mm pitch between the rods) for 1 inch (25.4 mm) optics.










A selection of holders is available for mounting mirrors, lens, polarizers, beamsplitter cubes and C-mount cameras.



30 series

	P/N	Description	Optosigma Retail price (€)
	C30-RO-6-20	Cage Rod Ø6 20mm	5.20
	C30-RO-6-30	Cage Rod Ø6 30mm	6.00
	C30-RO-6-50	Cage Rod Ø6 50mm	6.10
	C30-RO-6-100	Cage Rod Ø6 100mm	7.35
	C30-RO-6-155	Cage Rod Ø6 155mm	8.15
	C30-RO-6-200	Cage Rod Ø6 200mm	11.40
	C30-RO-6-300	Cage Rod Ø6 300mm	16.25
		C30-SMH-25.4	Slot-in Mirror Holder (25.4)
	C30-SLFH-25.4	Slot-in Lens/Filter Holder (25.4)	16.25
	C30-SLFH-25.4A	Slot-in Lens/Filter Holder (25.4) Thick	21.95
	C30-MAD-25.4-12.7	Mirror Adapter (25.4-12.7)	16.25
	C30-MAD-30-12.7	Mirror Adapter (30-12.7)	16.25
	C30-SLHO-20.32	Slot-in Objective Lens Holder (20.32x0.706mm)	19.10
	C30-SLHO-26	Slot-in Objective Lens Holder (26x0.706mm)	19.10
	C30-AMH-25.4	90° Angle Mirror Holder (25.4)	142.20
	C30-PH-25.4	Polarizer Holder (25.4)	81.25
	C30-LHC-15	Two-Axis Lens Holder	170.65
	C30-OAD—M15.85-M20.32	Objective Lens Adapter (M15.85-M20.32mm)	9.75
	C30-IH-15	Iris Diaphragm Holder (25.4)	81.25
	C30-PLH-15	Prism Holder (15)	26.00
	C30-PLH-20	Prism Holder (20)	30.10
	C30-PAD-15	Prism Holder (15-1)	56.90

16 series

	P/N	Description	Optosigma Retail price (€)	
	C16-RO-4-20	Cage Rod Ø4 20mm	6.10	
	C16-RO-4-30	Cage Rod Ø4 30mm	6.50	
	C16-RO-4-50	Cage Rod Ø4 50mm	7.35	
	C16-RO-4-100	Cage Rod Ø4 100mm	8.15	
	C16-RO-4-155	Cage Rod Ø4 155mm	9.75	
	C16-RO-4-200	Cage Rod Ø4 200mm	12.20	
		C16-SMH-12.7	Slot-in Mirror Holder (12.7)	14.65
		C16-SLH-12.7	Slot-in Lens/Filter Holder (12.7)	17.90
	C16-SLH-12.7A	Slot-in Lens/Filter Holder (12.7) Thick	20.35	
	C16-AMH-12.7	90° Angle Mirror Holder (12.7)	154.40	
	C16-PH-12.7	Polarizer Holder (12.7)	89.40	
	C16-LHC-10	Two-Axis Lens Holder (12.7)	154.40	
	C16-IH-8	Iris Diaphragm Holder (12.7)	77.20	
	C16-PLH-10	Prism Holder (10)	26.00	



OptoSigma Corporation

3210 S.Croddy Way, Santa Ana, California 92704 U.S.A.
 TEL: +1-949-851-5881 FAX: +1-949-851-5058
 E-mail: sales@optosigma.com



OptoSigma Europe S.A.S.

6 Avenue des Andes, 91940 Les Ulis, Essonne, FRANCE
 TEL: +33-1-6918-1700 FAX: +33-1-6010-0929
 E-mail: sales@optosigma-europe.com



Tokyo Head Office

5F, SIGMA KOKI Tokyo Head office 1-19-9, Midori, Sumida-ku,
 Tokyo, 130-0021, JAPAN
 TEL: +81-3-5638-8228 FAX: +81-3-5638-6550
 E-mail: international@sigma-koki.com

www.optosigma.com